



M2 ATTACHMENTS

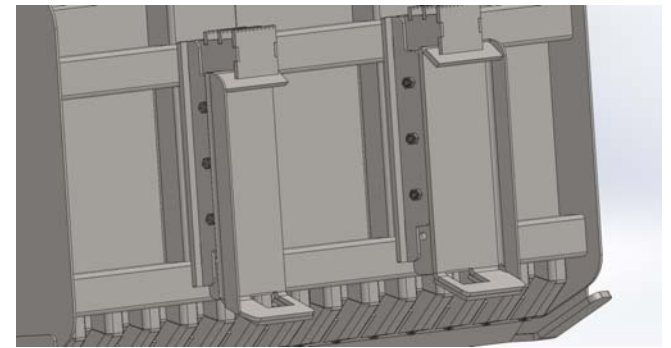
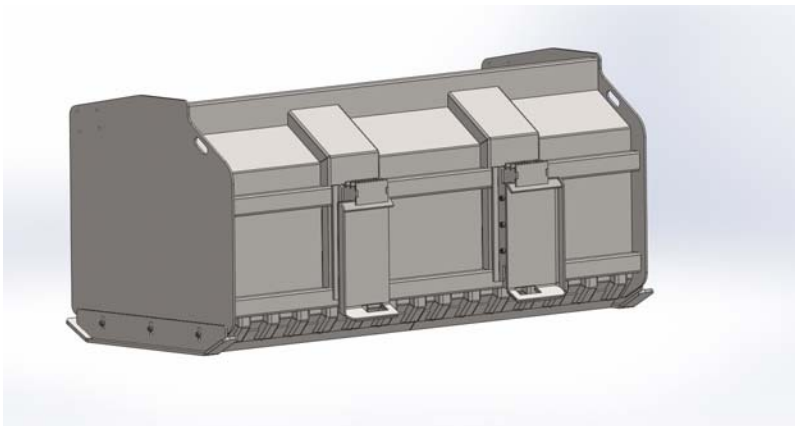
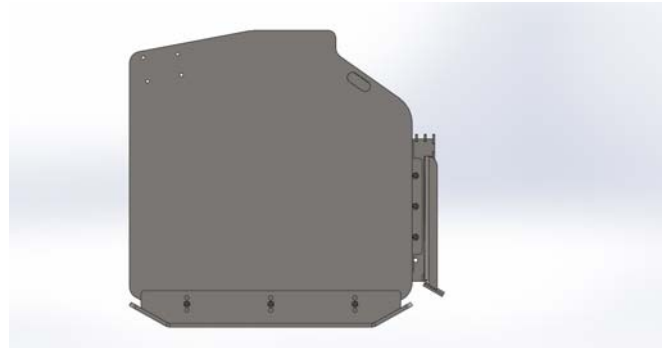
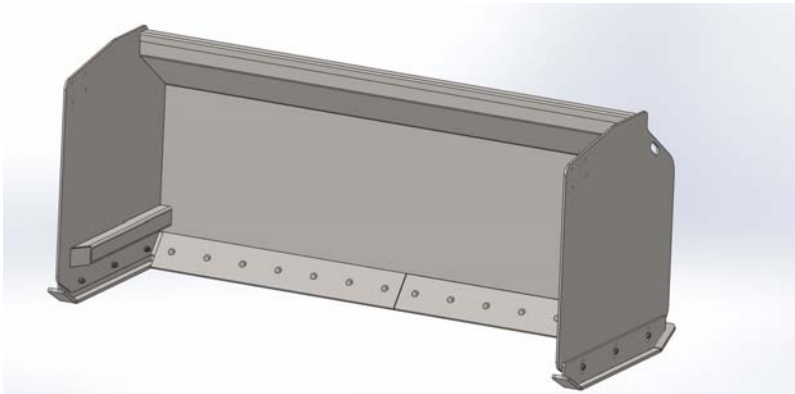
1128 B Cormorant Ave, Detroit Lakes, MN 56501
 701-360-3544 - 855-777-3539
 M2attachments@gmail.com

Snow Pusher

84" Model # 102318

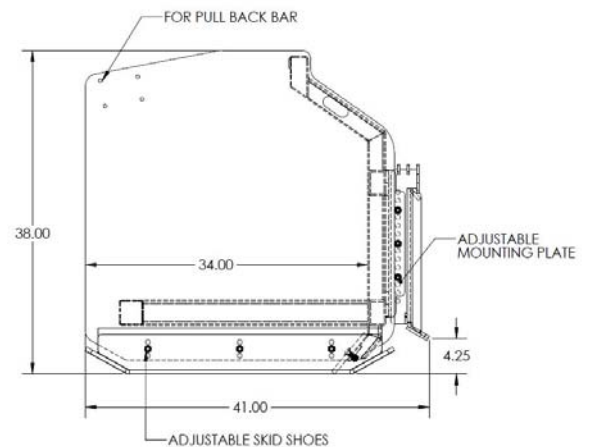
96" Model # 102319

120" Model # 102320



Specifications

Overall Width	96" & 120"
Overall Height	38"
Overall Depth	41"
Bucket Thickness	10 GA
Side Plates	3/8"
Wear Bars	1/2" with 3 adjustments
Mounting Plate (Adjustable Height)	5/16" HR Steel
Cutting Edge	1/2" x 6" Grade 50 Steel
Weights (Lbs.)	(4" - 820) (96" - 925) (120" - 1016)



Features:

- Durable construction for years of use
- Painted using a 2 part Urethane process for an exceptional finish
- Adjustable and replaceable wear bars
- Reversible cutting edge