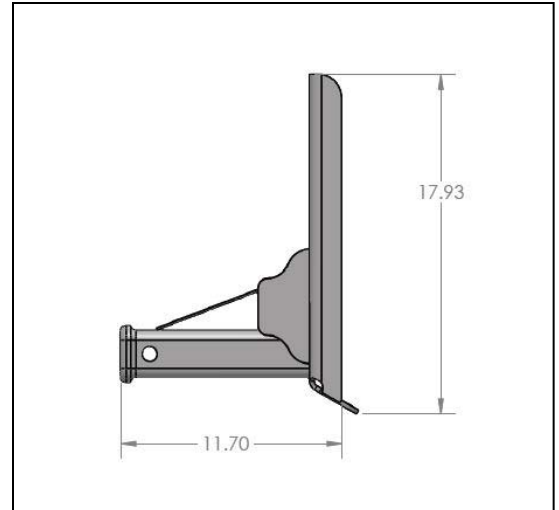
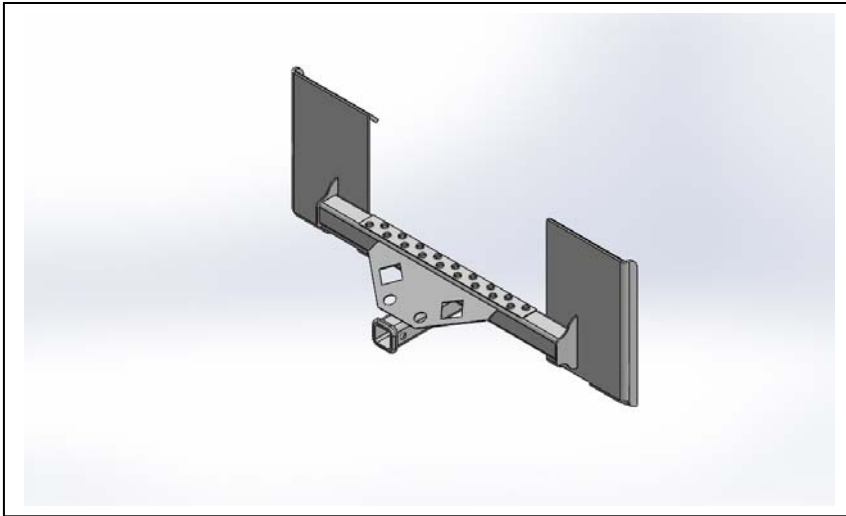




M2 ATTACHMENTS

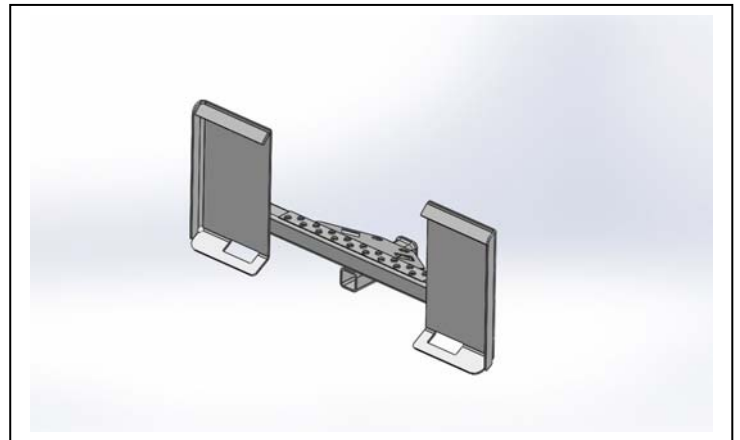
1128 B Cormorant Ave, Detroit Lakes, MN 56501
701-360-3544 - 855-777-3539
M2attachments@gmail.com

Receiver Plate Model #102351



Receiver Plate Specifications

Overall Width	45.75"
Overall Height	18"
Overall Depth	14"
Mounting Plate	1/4" A-36 Steel
Gusset	1/4" A-36 Steel
Top Bar	3/8" A-36 Steel
Tube	2-1/2" Seamless tube - Accepts a 2" Receiver Tube
Weight	60 Lbs.



Accessories are designed for use with our receiver plate only, 750 lb lift capacity.
Lift limit is determined by Receiver capacity or loader capacity, whichever is less.

FEATURES:

- Receiver Plate mounts to most loader buckets without tools
 - Easily add Ball Mount to Receiver Plate
- Painted using a 2 part Urethane process for an exceptional finish