

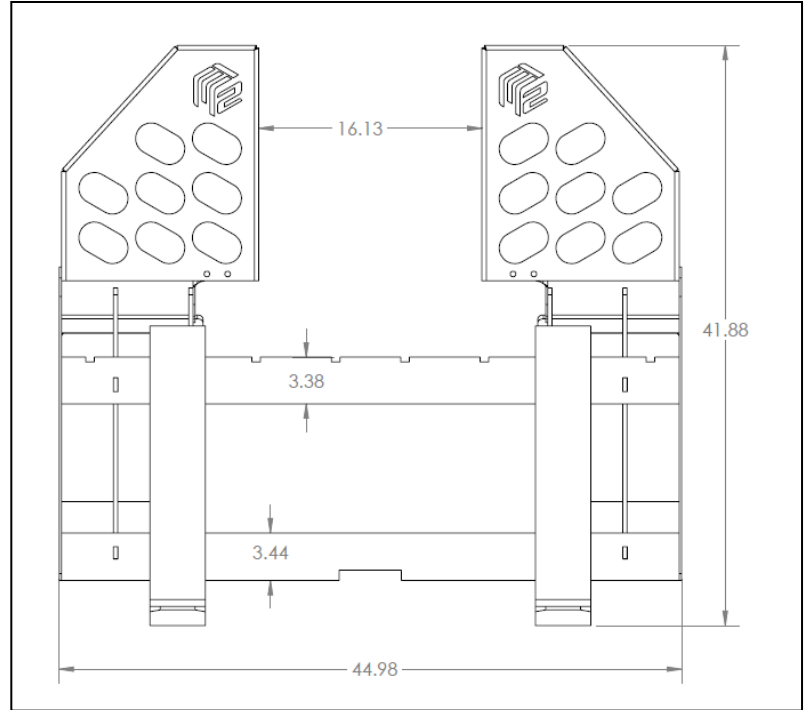
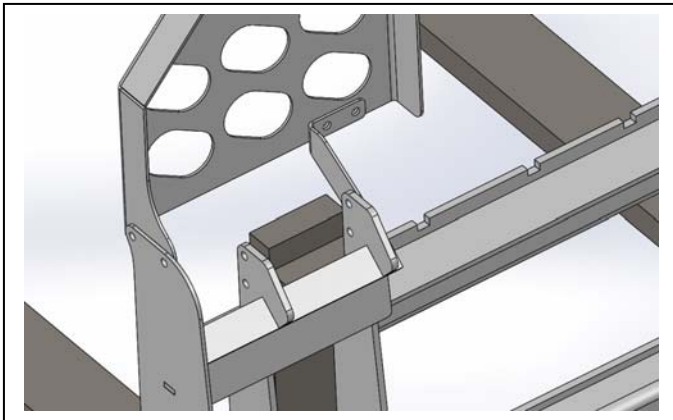
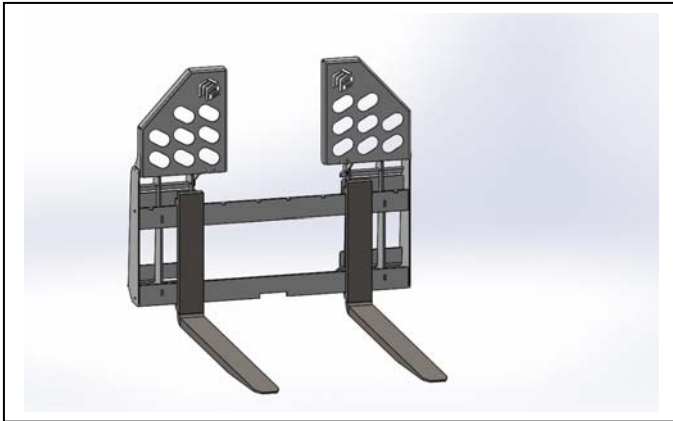


M2 ATTACHMENTS

1128 B Cormorant Ave, Detroit Lakes, MN 56501
 701-360-3544 - 855-777-3539
 M2attachments@gmail.com

Standard Duty Pallet Forks

Walk-thru 48" Model #102352



| Specifications | |
|---|----------------------|
| Overall Width | 46" |
| Overall Height | 42" |
| Depth | 9½" |
| Frame Thickness | 1/4" |
| Top and Bottom Rails | 3/8" Grade 50 |
| Fork Length | 48" |
| Fork Width | 4" |
| Fork Thickness | 1-3/8" |
| Tines | Class II Part #80489 |
| Estimated Load Capacity at 24" Load Center (per pair) | 4,400 lbs |
| Weight | 385 lbs |

FEATURES:

- Durable construction for years of use
- Ideal for moving materials around the job side
- Open and removable Brick Guard allows for clear vision of load
- Painted using a 2 part Urethane process for an exceptional finish

*Designed for use with palletized material only. (keep fork tines as wide as pallet allows)

*Lift limit is determined by fork capacity or loader capacity, whichever is less.

*Capacity is based on no more than 1/2 load per fork and load no more than 1/2 way out on each fork.