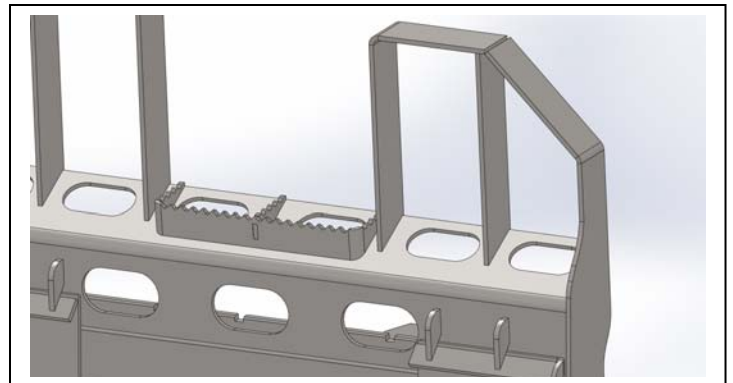
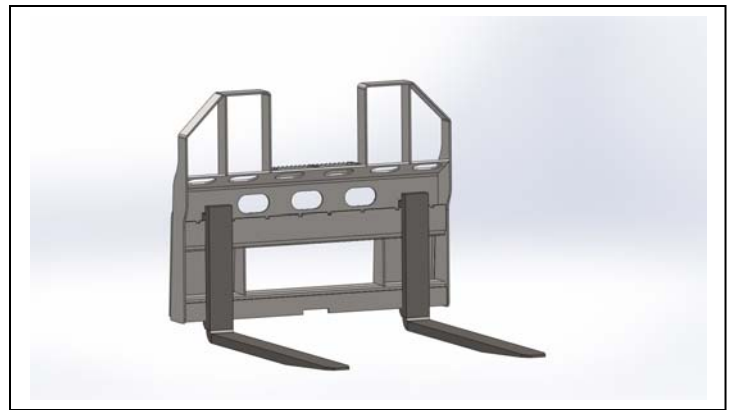
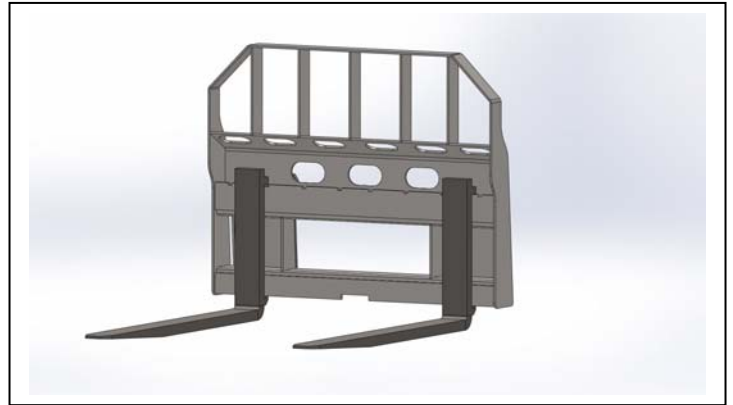
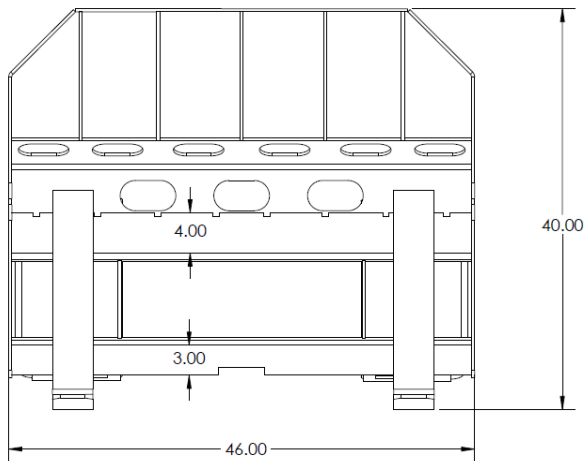




**M2 ATTACHMENTS**

1128 B Cormorant Ave, Detroit Lakes, MN 56501  
 701-360-3544 - 855-777-3539  
 M2attachments@gmail.com

**Heavy Duty Pallet Forks**  
**Model # 102342 48" Standard Back**  
**Model # 102343 48" Walk Thru Back**



**Specifications**

Overall Width	46"
Overall Height	40"
Depth	9½"
Top and Bottom Rails	1/2" Grade 50
Fork Length	48"
Fork Width	4"
Fork Thickness	1-3/8"
Tines	Class II Part #80489
Estimated Load Capacity at 24" Load Center (per pair)	4,400 lbs
Weight	525 lbs

**FEATURES:**

- Built to perform and outlast the competition
- Heavy Duty Brick Guard allows for clear vision of load
- Ideal for moving materials around the job side
- Painted using a 2 part Urethane process for an exceptional finish

5500 lbs forks are available for additional cost

\*Designed for use with palletized material only.

\*Lift limit is determined by fork capacity or loader capacity, whichever is less.

\*Capacity is based on no more than 1/2 load per fork and load no more than 1/2 way out on each fork.