

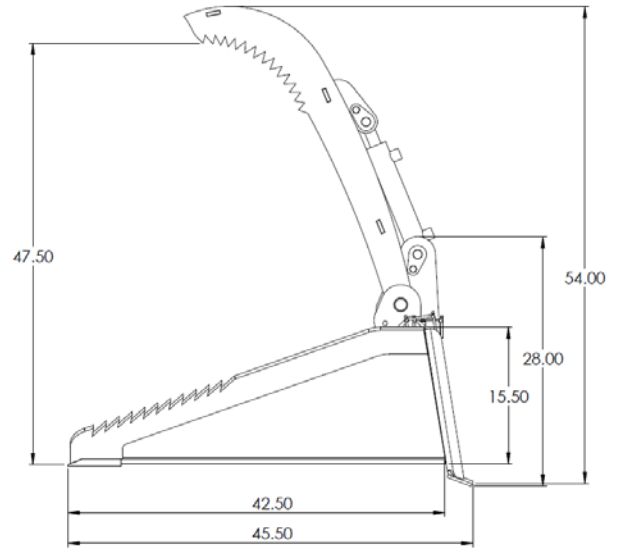
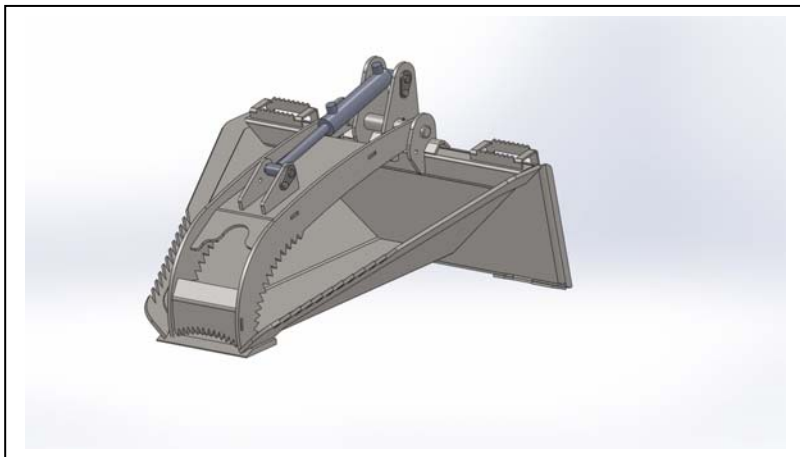


M2 ATTACHMENTS

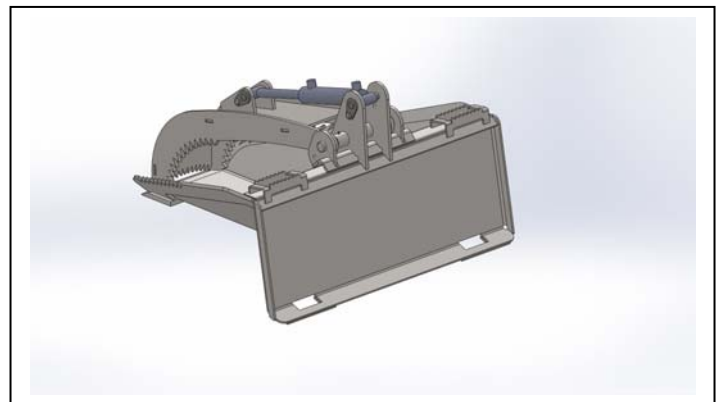
1128 B Cormorant Ave, Detroit Lakes, MN 56501
 701-360-3544 - 855-777-3539
 M2attachments@gmail.com

Stump Grapple

Model # 102329



| Specifications | |
|-------------------------|-------------------------------|
| Overall Width | 45" |
| Overall Height - Closed | 28 $\frac{1}{4}$ " |
| Overall Height - Open | 47" |
| Overall Depth | 46" |
| Grapple Opening | 45-1/2" |
| Bucket Depth | 42-1/2" |
| Bucket Thickness | 1/4" Grade 50 |
| Side Cutting Edge | 1/2" Grade 50 |
| Wear Bars | 1/2" Grade 50 |
| Grapple Arm | 1/2" Grade 50 - Laser Cut |
| Cylinder | 2-1/2" x 8" Welded Cross Tube |
| Hydraulic Couplers | Flat Face |
| Hydraulic Hoses | 3/8" |
| PSI Max | 3,000 PSI |
| Pivot Points | Greased |
| Main Pin | 1.5" x 15" |
| Rear Cylinder Pin | 1" x 6" |
| Front Cylinder Pin | 1" x 5 $\frac{1}{2}$ " |
| Weight | 460 Lbs. |



Features:

- Durable construction for years of use
- Many uses, Stump Removal, Tree Plucking, Digging Trenches, Moving Rock, Loading Logs, Pulling Posts
- Painted using a 2 part Urethane process for an exceptional finish
- Optional Weld on Teeth