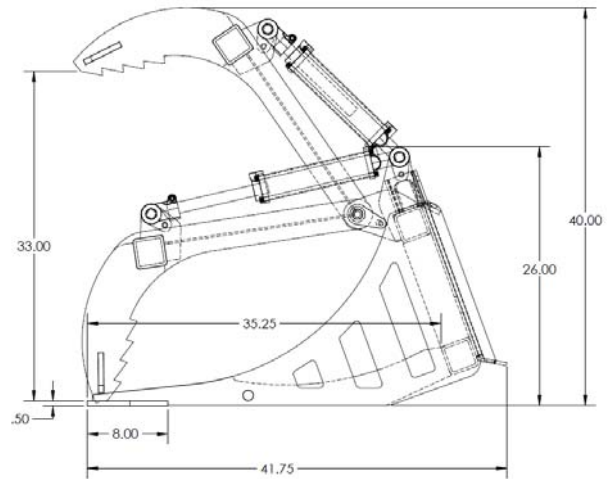
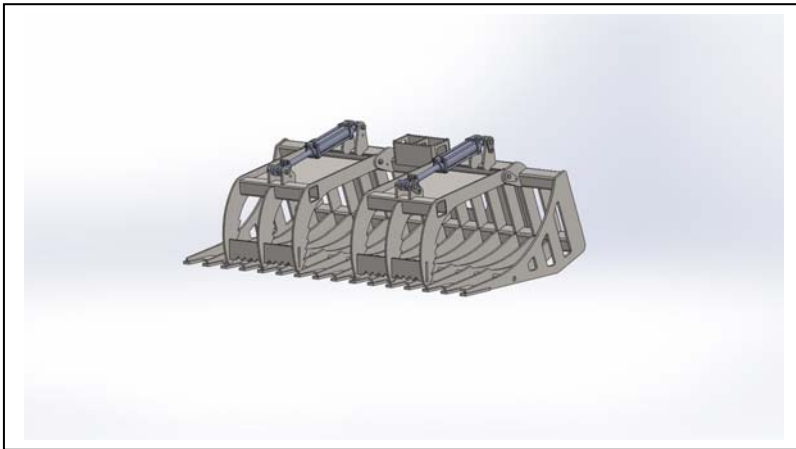


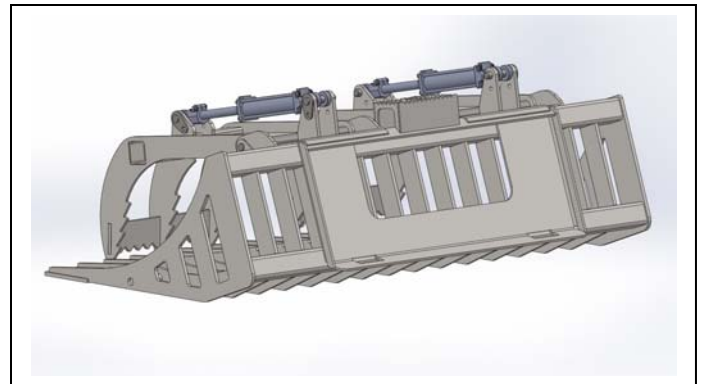


1128 B Cormorant Ave, Detroit Lakes, MN 56501
 701-360-3544 - 855-777-3539
 M2attachments@gmail.com

Standard Rock Grapple 72" - Model #102330



Specifications	
Width	72"
Overall Height - Closed	26"
Overall Height - Open	40"
Overall Depth	41.75"
Grapple Opening	35.25"
Depth of Bucket	33"
Cutting Edge	1/2" x 8" - Grade 50
Top Tube	3" x 3" x 3/16"
Bottom Tube	3" x 3" x 3/16"
Grapple Arms	3/8" Grade 50
Cylinders	2" x 8" - Clevis
Hydraulic Couplers	Optional
Hydraulic Hoses	3/8"
PSI Max	2,500 PSI
Weight	72" = 783 Lb.



Features:

- Durable construction for years of use
- Dig, grab, pull, clear and sift with one tool
- Excellent for all your landscaping or demolition duties
- Painted using a 2 part Urethane process for exceptional results
- Designed to leave the dirt behind when picking up unwanted material
- Serrated tooth design grabs and holds the toughest materials
- Independent grapples with greaseable main pin