



**M2 ATTACHMENTS**

1128 B Cormorant Ave, Detroit Lakes, MN 56501  
 701-360-3544 - 855-777-3539  
 M2attachments@gmail.com

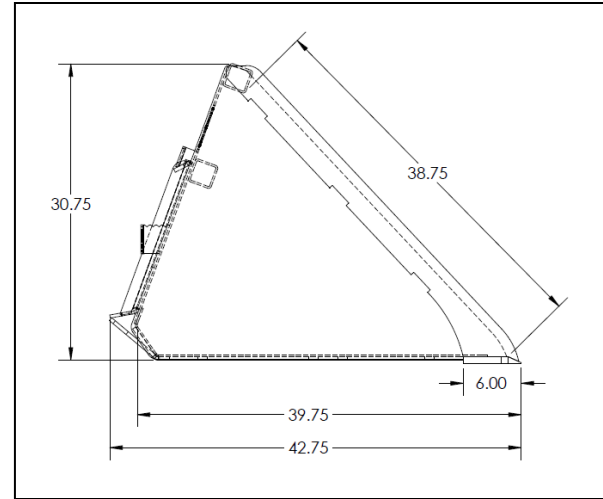
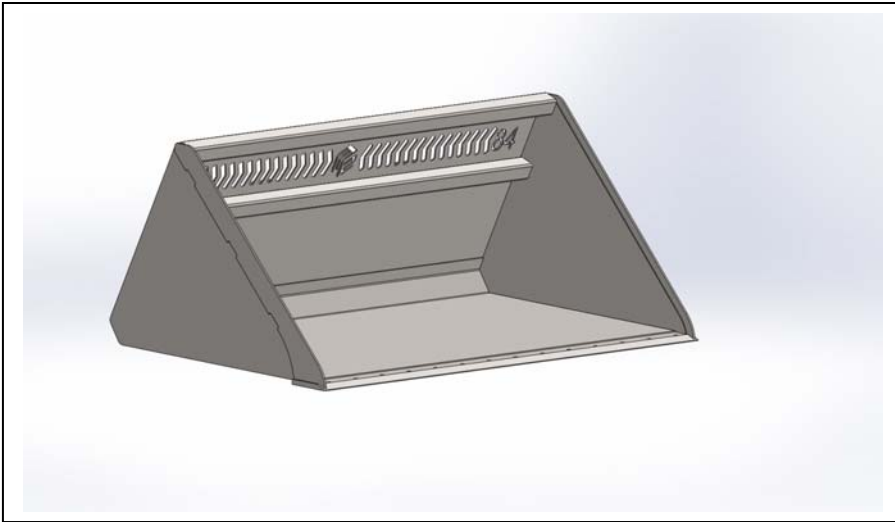
# Screen Snow Bucket

**84" Model #102314**

**96" Model #102315**

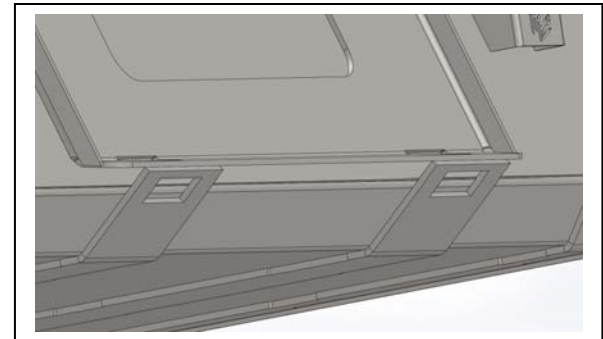
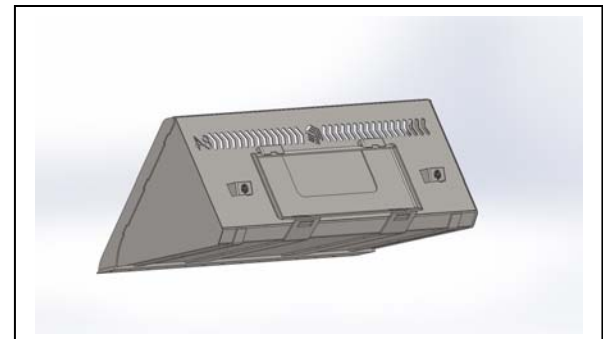
**102" Model#102316**

**108" Model #102317**



## Specifications

Overall Width	84", 96", 102", 108"
Overall Height	30.75"
Overall Depth	42.75"
Bucket Thickness	3/16"
Side Plates	3/16"
Side Cutting Edge	3/8" Grade 50
Wear Bars	3/8" Grade 50
Mounting Plate	5/16" A-36 Steel
Cutting Edge	3/4" x 6"
Steps	Laser & formed, welded on back
Struck Capacity cu. ft.	(84" - 30) (96" - 34) (102" - 36) (108" - 39)
Heaped Capacity cu. ft.	(84" = 36) (96" - 41) (102" - 44) (108" - 46)
Weights (Lbs.)	84" = 700 lbs, 96" = 775 lbs, 102" = 815 lbs, 108" = 875 lbs



## Features:

- Durable construction for years of use
- Bolt on cutting edge available
- For snow or lighter materials
- Screen design allows operator a view to the cutting edge and the load
- Painted using a 2 part Urethane process for an exceptional finish