

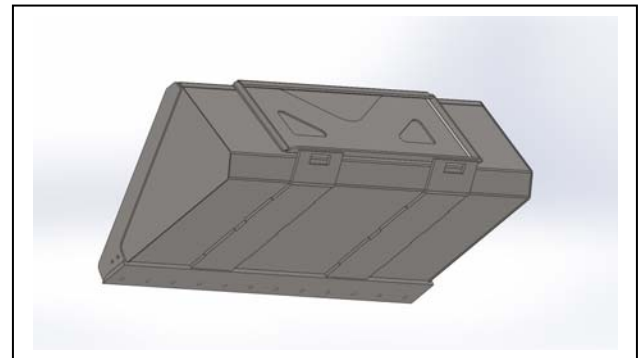
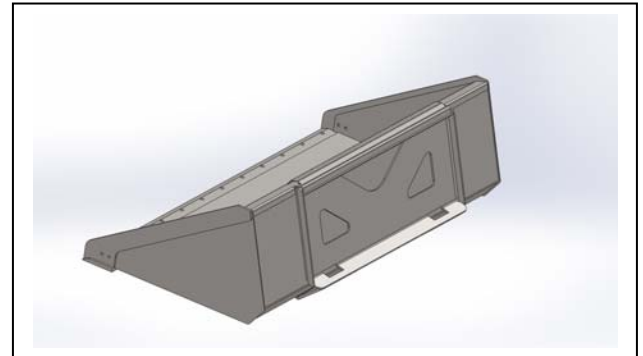
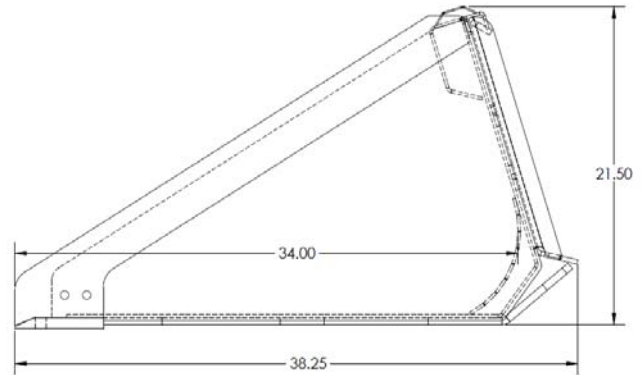
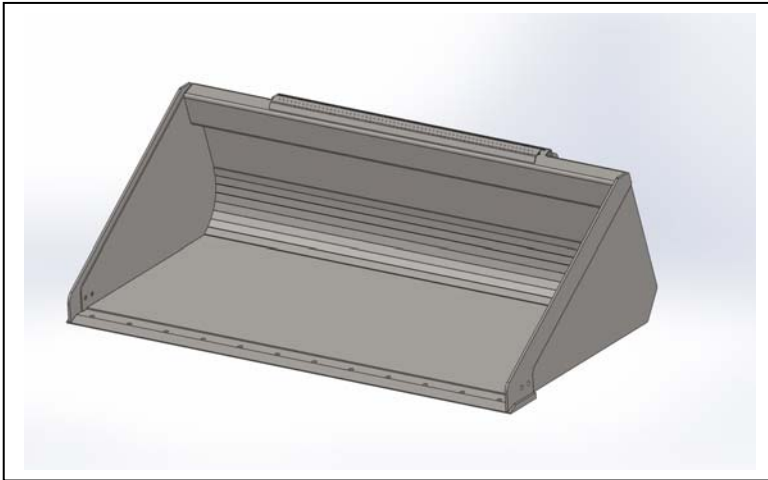


M2 ATTACHMENTS

1128 B Cormorant Ave, Detroit Lakes, MN 56501
 701-360-3544 - 855-777-3539
 M2attachments@gmail.com

Heavy Duty Low Profile Buckets

- 60" Model #102333**
- 68" Model #102334**
- 72" Model #102335**
- 78" Model #102336**
- 80" Model #102337**
- 84" Model #102338**



Specifications

Overall Width	60", 68", 72", 78", 80" & 84"
Overall Height	21½"
Overall Depth	38¼"
Bucket Thickness	3/16"
Side Plates	3/16"
Step Bent Insert	3/16"
Side Cutting Edge	3/8" Grade 50
Wear Bars	3/8" Grade 50
Mounting Plate	5/16" HR Steel
Cutting Edge	3/4" x 6"
Step	Extruded Grips
Struck Capacity cu. ft.	(60" 13.2) (68" 15) (72" 15.9) (78" 17.5) (80" 17.75) (84" 18.5)
Heaped Capacity cu. ft.	(60" 15.8) (68" 18) (72" 19) (78" 20.5) (80" 20.12) (84" 22.25)
Weights (Lbs.)	(60" 485) (68" 525) (72" 530) (78" 575) (80" 610) (84" 630)

Features:

- Durable construction for years of use
- Reinforced bucket liner for longer life and less buckling
- 6 Sizes available
- Painted using a 2 part Urethane process for an exceptional finish
- Low profile for better visibility of the cutting edge
- Grade 50 Steel side plates and wear skids
- Holes in cutting edge for optional 5/8" x 8 bolt on cutting edge (6" bolt spacing)