

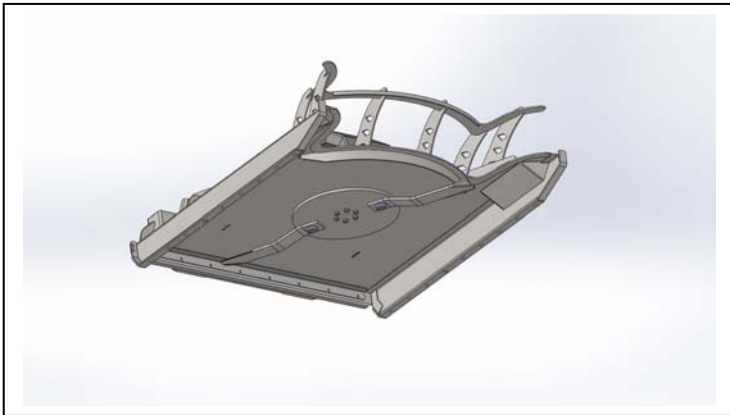
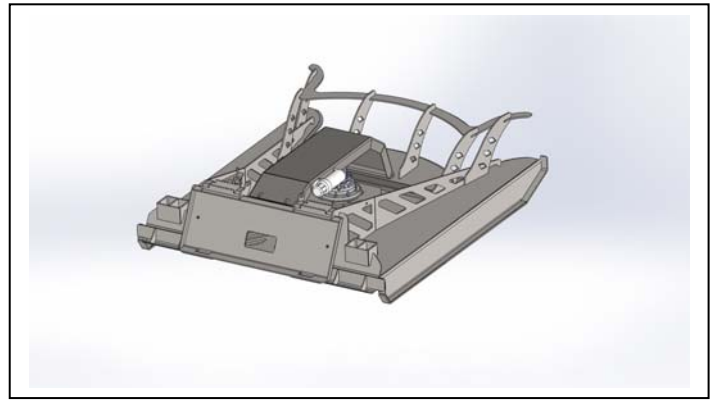
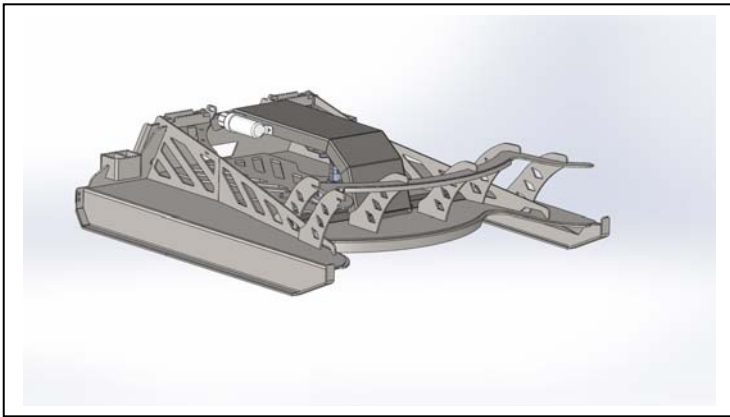


M2 ATTACHMENTS

1128 B Cormorant Ave, Detroit Lakes, MN 56501  
 701-360-3544 - 855-777-3539  
 M2attachments@gmail.com

# Open Front Rotary Brush Cutter Direct Std Flow

**60" Model #102376**  
**66" Model #102379**  
**72" Model #102382**  
**78" Model #102385**



Specifications	
Blade Carrier	Laser Cut Plate
Blade Rotation	Counter Clockwise
Cutting Capacity	Up to 4"
Drive	Eskridge
Motor	6.1 cu in
Hydraulic Couplers	Flat Face 1/2" Body - ISO16028
Hydraulic Hoses	3/4"
PSI Max	3,000 PSI
Wear Bars	3/8" Thick - Welded on
Front Chain Mount	Replaceable 5/16" chain - 5 links long
Rear Chain Mount	Replaceable 5/16" chain - 3 links long

ADDITIONAL SPECIFICATIONS	60" #102376	66" #102379	72" #102382	78" #102385
Overall Width	64"	70"	75.5"	85"
Overall Length	74"	82"	88"	96"
Overall Height	22"	22"	22"	22"
Blades, Bolts	Blades: 5/8" x 5" and 2.5" Drop - 19.25" hole to tip /Bolts: BB100A	Blades: 5/8" x 5" and 2.5" Drop - 19.25" hole to tip Bolts: BB100A	Blades: 5/8" x 5" and 2 1/2" Drop - 25.25 hole to tip Bolts: BB100A	Blades: 5/8" x 5" and 2 1/2" Drop - 25.25 hole to tip Bolts: BB100A
Blade Carrier	3/4" T1, 27" Diameter	3/4" T1, 32" Diameter	3/4" T1, 27" Diameter	3/4" T1, 35 1/4" Diameter
Nut	1.25 - 7" Castle Nut	1.25 - 7" Castle Nut	1.25 - 7" Castle Nut	1.25 - 7" Castle Nut
Flow	15 - 25 GPM	15 - 25 GPM	15 - 25 GPM	15 - 25 GPM
Blade Tip Speed (FPM)	Min @ 15 GPM (8,547 FPM) Max @ 25 GPM (14244 FPM)	Min @ 15 GPM (9587 FPM) Max @ 25 GPM (15978 FPM)	Min @ 15 GPM (8482 FPM) Max @ 25 GPM (14136 FPM)	Min @ 15 GPM (11594 FPM) Max @ 25 GPM (19323 FPM)
Deck Thickness	1/4"	1/4"	1/4"	1/4"
Weight	950 Lbs.	1120 Lbs.	1220 Lbs.	1585 Lbs.

## Features:

- Manufactured as one of the toughest Brush Cutters available
- Great for cleaning trails or construction sites
- Cut grass or brush up to 4"
- Painted using a 2 part Urethane process for an exceptional finish