



M2 ATTACHMENTS

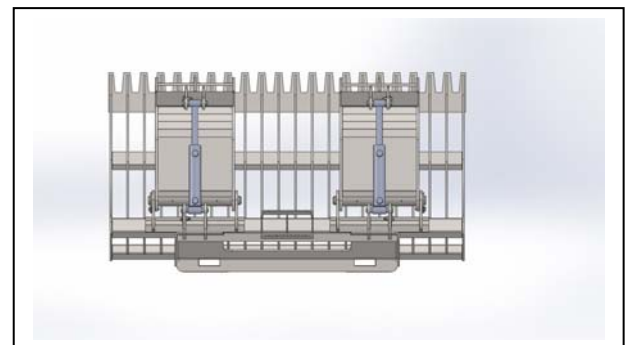
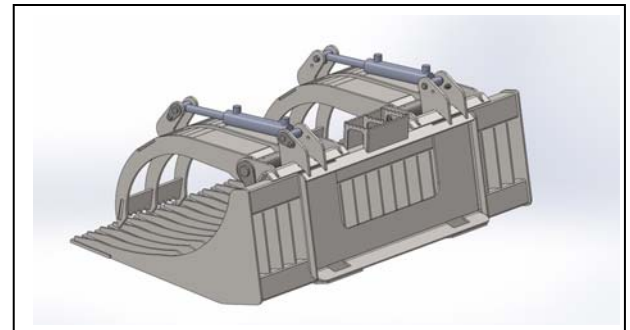
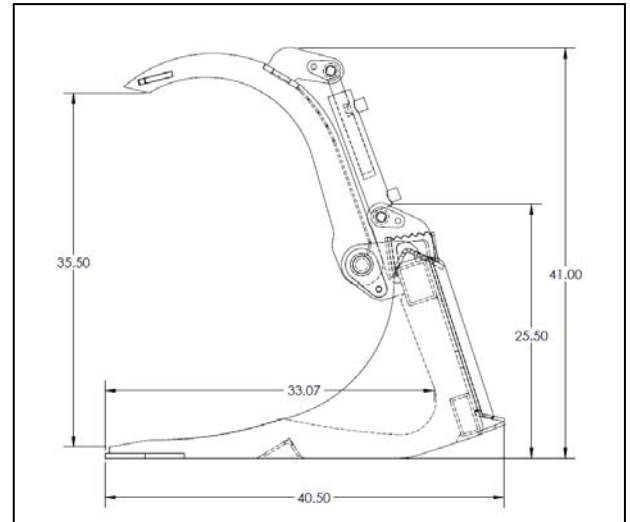
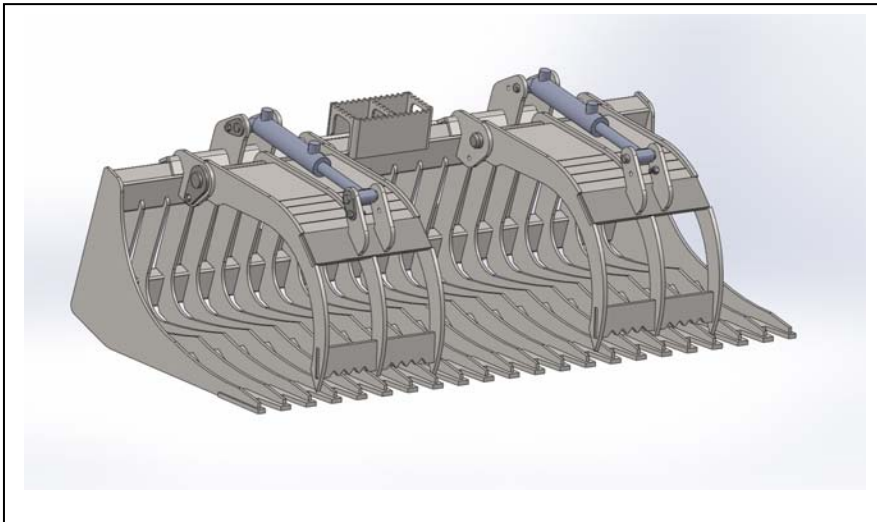
1128 B Cormorant Ave, Detroit Lakes, MN 56501
 701-360-3544 - 855-777-3539
 M2attachments@gmail.com

Heavy Duty Rock Grapples

72" Model #102359

79" Model #102360

82" Model #102361



Specifications

| | |
|-------------------------|--|
| Width | 72", 79", 82" |
| Overall Height - Closed | 27" |
| Overall Height - Open | 41" |
| Overall Depth | 40.5" |
| Grapple Opening | 35.5" |
| Depth of Bucket | 33" |
| Tines | 3/8" - Grade 50 |
| Cutting Edge | 1/2" x 8" - Grade 50 |
| Top Tube | 3" x 4" x 1/4" |
| Bottom Tube | 2" x 4" x 1/4" |
| Grapple Arms | 1/2" Grade 50 - Laser Cut |
| Cylinders | 2" x 8" - Welded |
| Hydraulic Couplers | Flat Face |
| Hydraulic Hoses | 3/8" |
| PSI Max | 3,000 PSI |
| Pivot Points | Greased |
| Main Pin | 1.75" x 20" |
| Rear Cylinder Pin | 1" x 6" |
| Front Cylinder Pin | 1" x 5.5" |
| Weight | 72" = 900 Lbs, 79" = 987 lbs, 82" = 1025 lbs |

FEATURES:

- Durable construction for years of use
- Designed to leave the dirt behind when picking up unwanted material
- Dig, grab, pull, clear and sift with one tool
- Serrated tooth design grabs and holds the toughest materials
- Excellent for all your landscaping or demolition duties
- Independent grapples with greaseable pivot points
- Painted using a 2 part Urethane process for exceptional results