

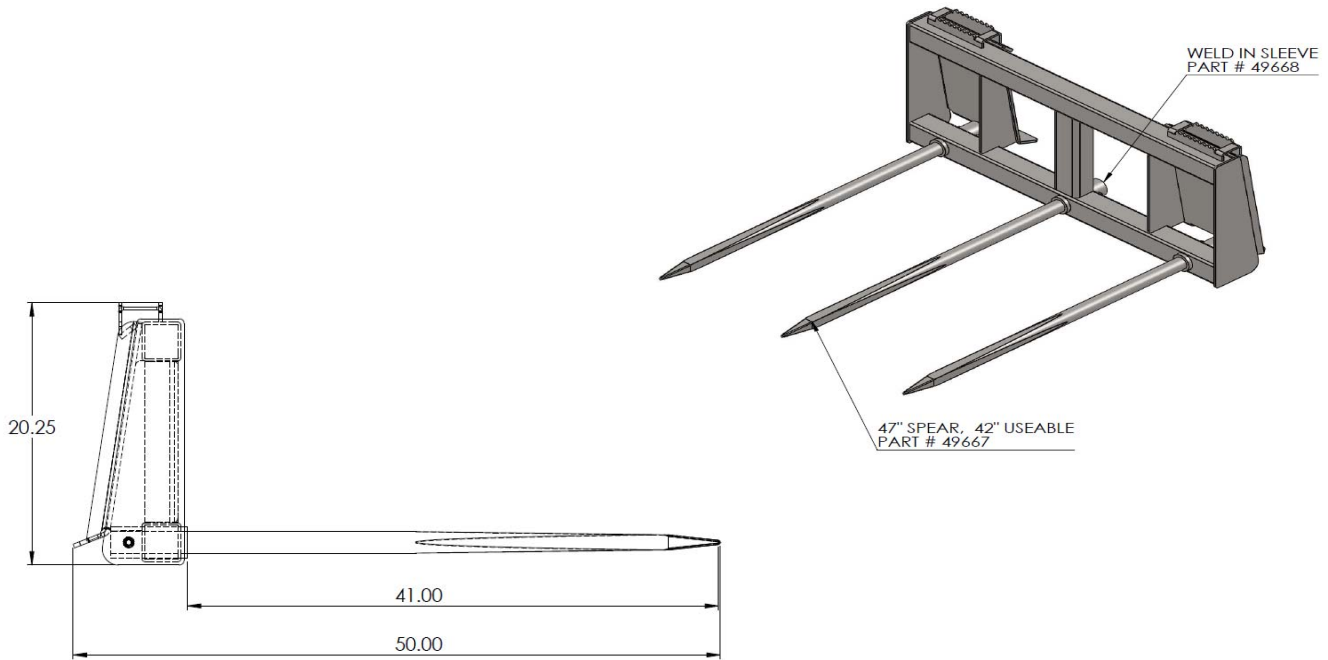


**M2 ATTACHMENTS**

1128 B Cormorant Ave, Detroit Lakes, MN 56501  
 701-360-3544 - 855-777-3539  
 M2attachments@gmail.com

# Triple Bale Spear

## Model #102390



Specifications	
Width	46"
Height	20"
Overall Depth	50"
Width Between Spears	36"
Spear	47" Spear Bolt in Spear, 42" Useable Length ( P# 49667 )
Sleeve	Weld in Sleeve ( P# 49668 )
Max Lift	Total Max Load 3000 lbs
Weight	224 lbs

## Features:

- Durable construction for years of use
- Best suited for large round or square bales
- Replaceable tines
- Painted using a 2 part Urethane process for an exceptional finish