

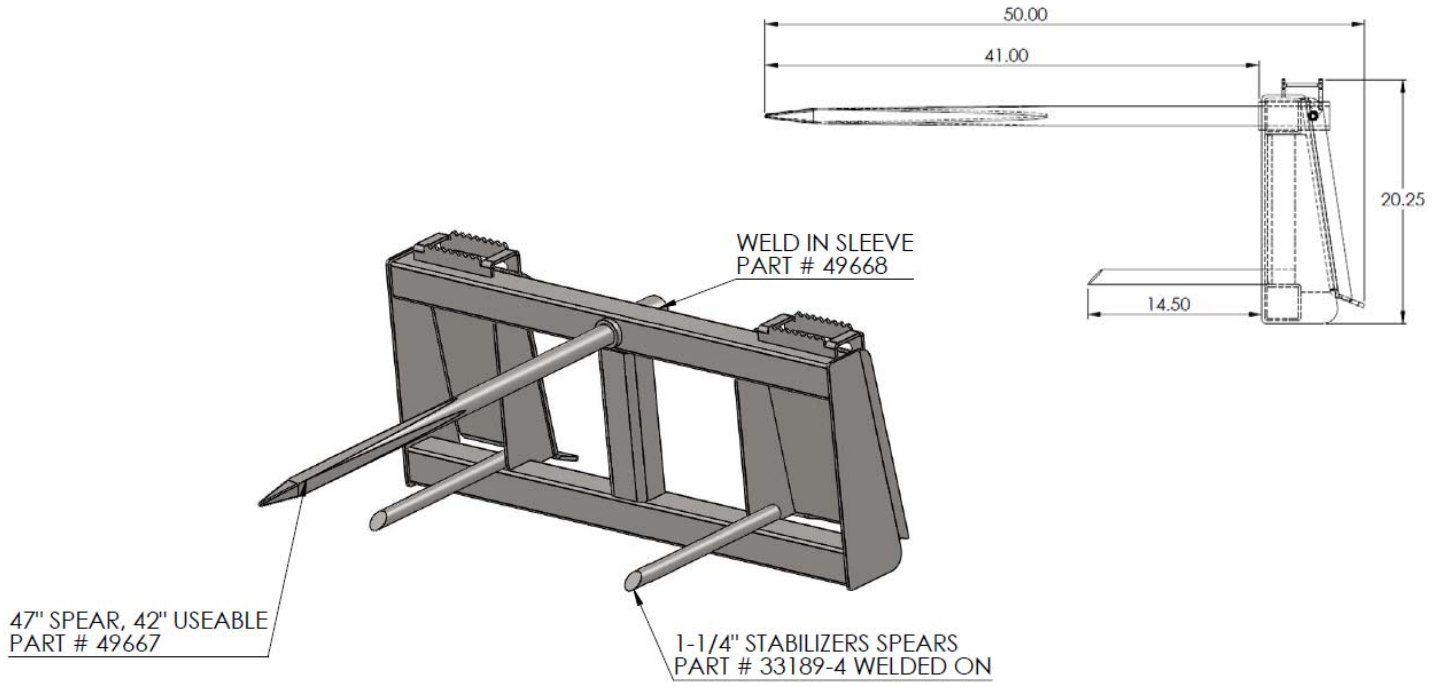


M2 ATTACHMENTS

1128 B Cormorant Ave, Detroit Lakes, MN 56501
 701-360-3544 - 855-777-3539
 M2attachments@gmail.com

Single Bale Spear

Model #102388



Specifications	
Width	46"
Height	20"
Overall Depth	50"
Spear	47" Spear Bolt in Spear, 42" Useable Length
Sleeve	Weld in Sleeve (P# 49668)
Max Lift	Total Max Load 3000 lbs
Weight	189 lbs

Features:

- Durable construction for years of use
- Economical way to move a single bale
- Single Bale moving
- Painted using a 2 part Urethane process for an exceptional finish
- Replaceable main spear