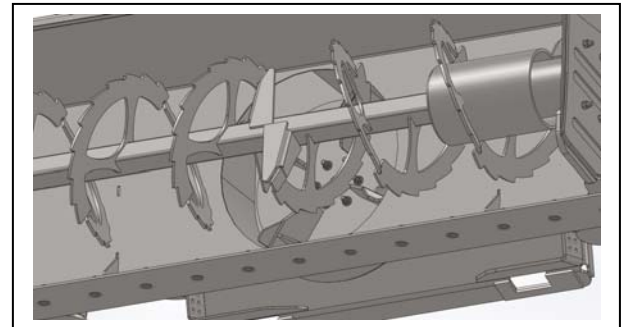
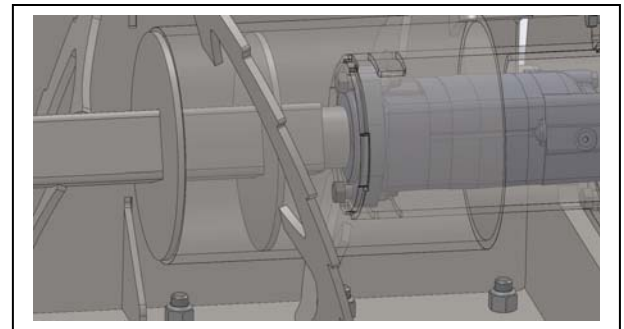
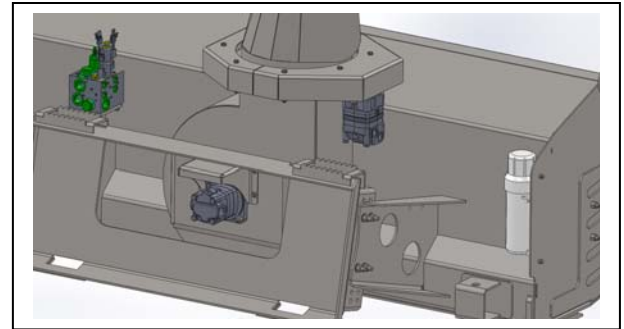
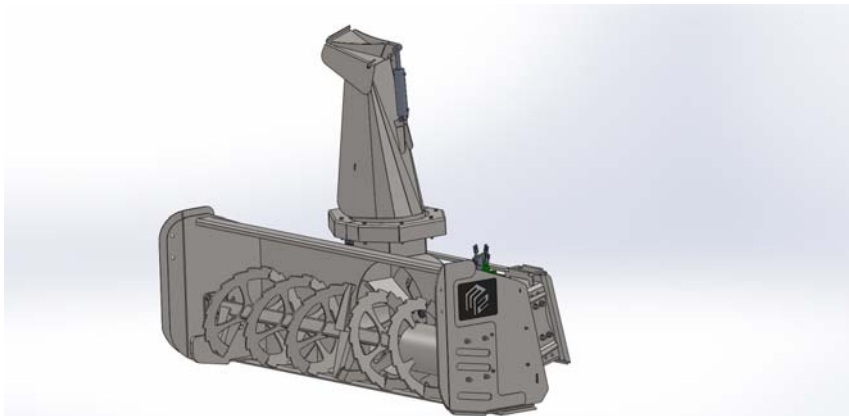




M2 ATTACHMENTS

1128 B Cormorant Ave, Detroit Lakes, MN 56501
 701-360-3544 - 855-777-3539
 M2attachments@gmail.com

Snow Blower 78" Model #102387



Specifications

Overall Width	80"
Overall Depth	44"
Overall Height	63"
Housing Height	29"
Housing Depth	22"
Auger Diameter	18" (Serrated fluting to cut through hard snow)
Fan Diameter	20"
Chute Height	36"
Chute Width	12"
Chute deflector	Electric over hydraulic deflector & chute rotation (270 deg rotation)
Throwing distance	30 to 40 ft
Side wear bars	Weld on
Bottom Cutting Edge	5/8" x 8" Bolt on double bevel / Reversible 6" Hardened dome with 1" shaft, adjustable height
Skid Shoes (Optional)	Flat Face 1/2"
Hydraulic Couplers	1/2"
Hydraulic Hoses	3,000 PSI
PSI Max	16-25 GPM
Flow	4 Button Pendant, Uses Cigarette lighter for power, or connect to battery
Wire Harness	1165 lbs
Weight	

Features:

- Built solid to get through the toughest winter challenges
- Designed to reduce ice build-up
- Adjustable height mounting plate
- 7 ga Body
- Painted using a 2 part Urethane process for an exceptional finish
- Serrated auger for cutting through hard snow
- Direct Drive system to reduce maintenance
- Double bevel bolt on cutting edge
- 7 ga Side Plate laminated with 1/4"