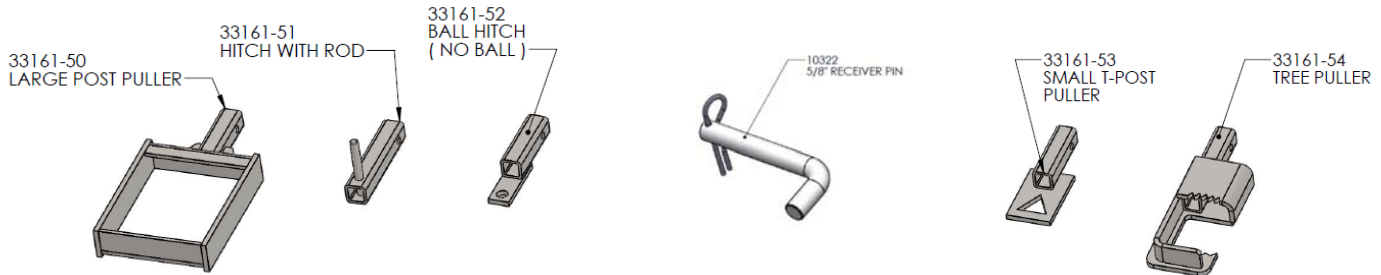
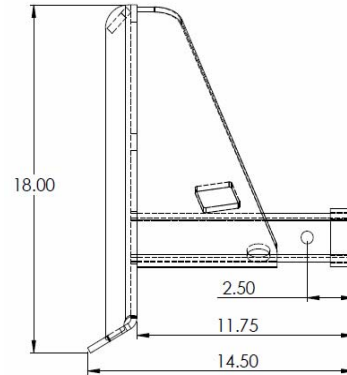
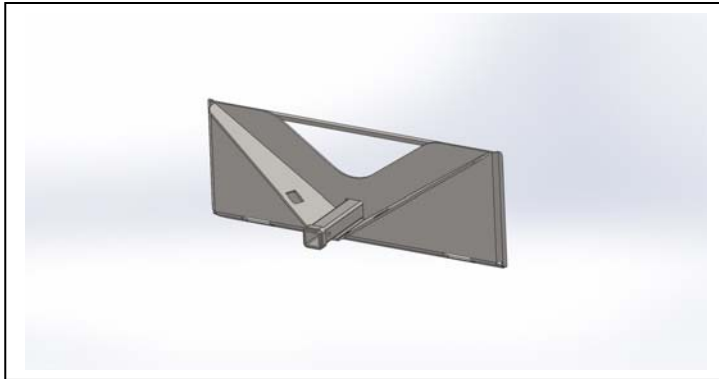




**M2 ATTACHMENTS**

1128 B Cormorant Ave, Detroit Lakes, MN 56501  
 701-360-3544 - 855-777-3539  
 M2attachments@gmail.com

# Receiver Plate Model #102341



## Receiver Plate Specifications

Width	45.75"
Height	18"
Depth	14"
Mounting Plate	5/16" A-36 Steel
Gusset	5/16" A-36 Steel
Top Bar	3/8" A-36 Steel
Tube	2-1/2" Seamless tube - Accepts a 2" Receiver Tube
Weight	105 Lbs.

## Receiver Plate Accessories

Model #	Description	Weight
33161-50	Large Post Puller	26 lbs
33161-51	Hitch with Rod	6 lbs
33161-52	Ball Hitch (No Ball)	5 lbs
33161-53	Small T-Post Puller	8 lbs
33161-54	Tree Puller	24 lbs
10322	5/8" Receiver Pin	.75 lbs

Accessories are designed for use with This receiver plate only ( not included ), 1000 lb lift capacity. Lift limit is determined by Receiver capacity or loader capacity, whichever is less.

## FEATURES:

- Receiver Plate mounts to most loader buckets without tools
  - Easily add accessories to Receiver Plate
- Painted using a 2 part Urethane process for an exceptional finish