

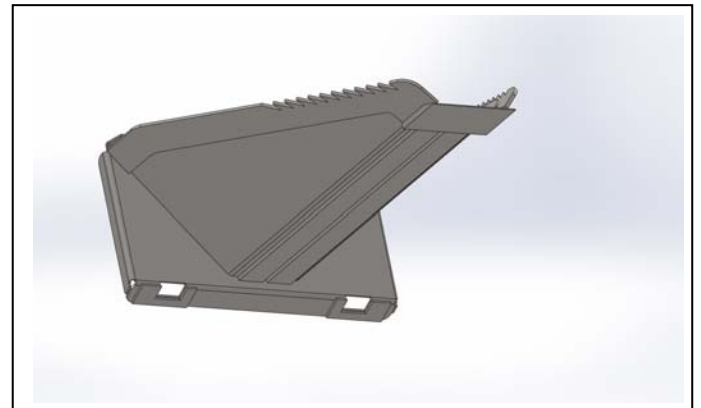
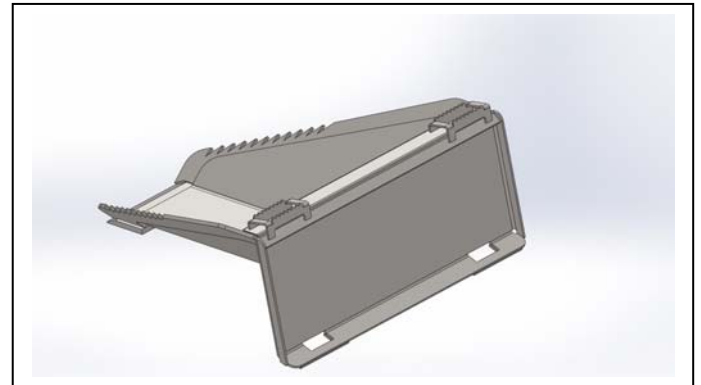
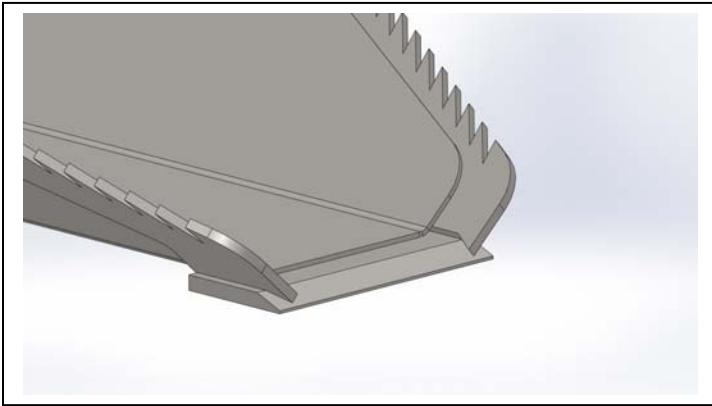
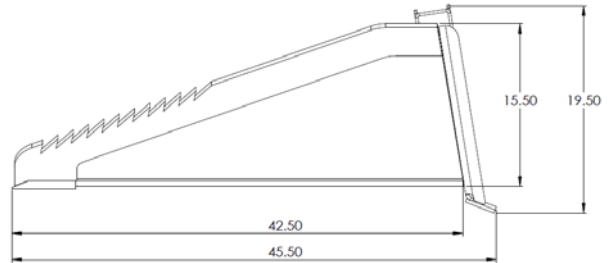
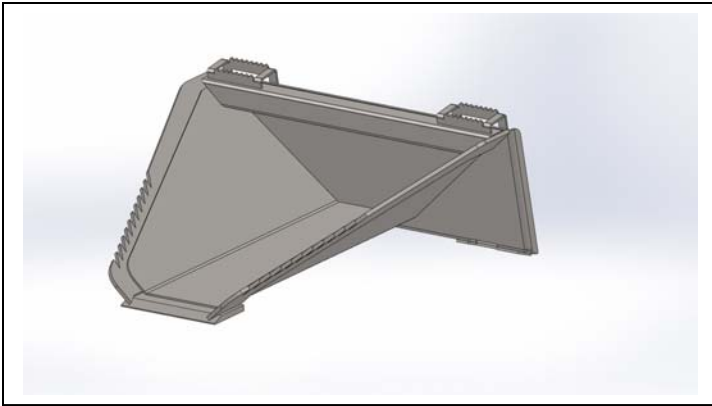


M2 ATTACHMENTS

1128 B Cormorant Ave, Detroit Lakes, MN 56501
701-360-3544 - 855-777-3539
M2attachments@gmail.com

Stump Bucket

Model # 102328



Specifications

Overall Width	45"
Overall Height	18"
Overall Depth	44"
Bucket Thickness	1/4" A36
Side Cutting Edge	1/2" Grade 50
Wear Bars	1/2" Grade 50
Cutting Edge	3/4"x 6"
Weight	330 Lbs.

Features:

- Durable construction for years of use
- Takes the work out of digging
- Excellent for digging up stumps, removing rocks and digging trenches
- Painted using a 2 part Urethane process for an exceptional finish