

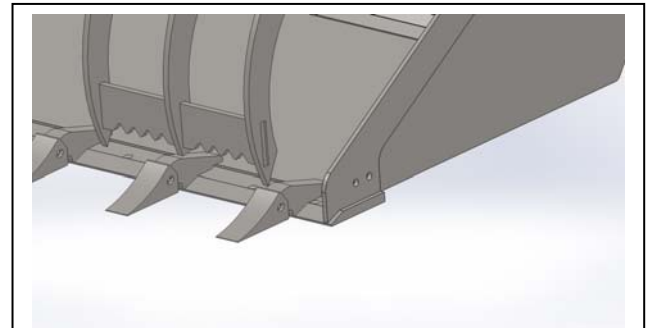
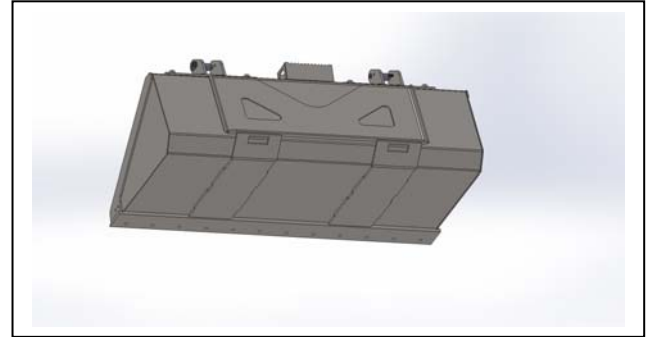
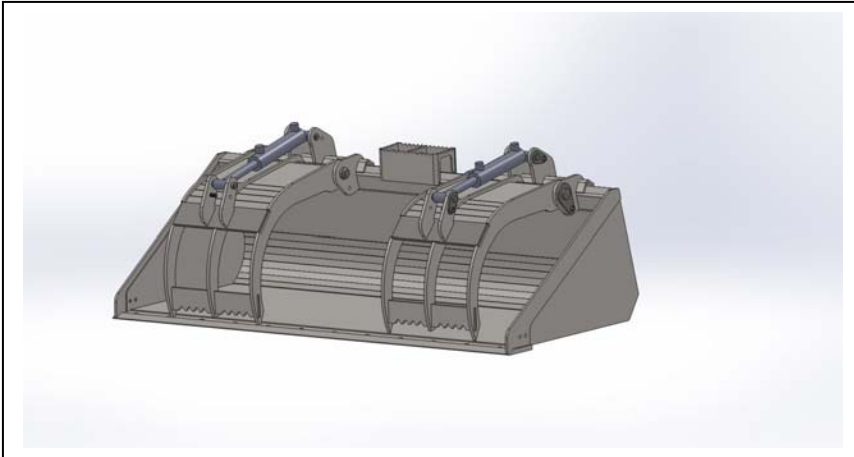


M2 ATTACHMENTS

1128 B Cormorant Ave, Detroit Lakes, MN 56501  
 701-360-3544 - 855-777-3539  
 M2attachments@gmail.com  
 www.M2attachments.com

# Heavy Duty Low Profile Bucket w/Grapple

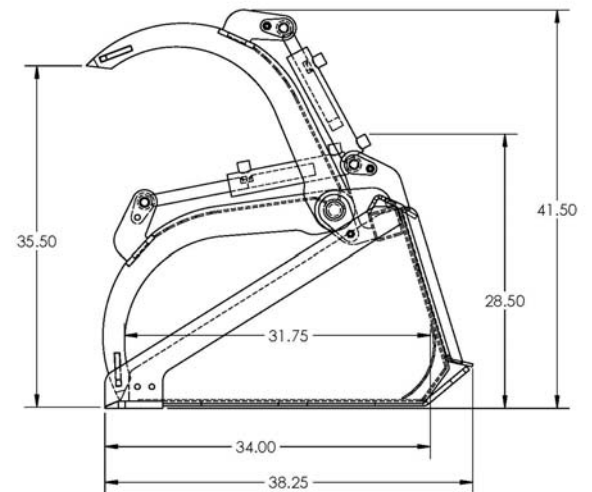
**72" Model # 102364**  
**72" Model with Teeth # 102365**



Tooth Option

## Specifications

Overall Width	72
Overall Height - Closed	28½
Overall Height - Open	41½
Overall Depth	38¼
Grapple Opening	35½"
Depth of Bucket	34
Main Body Thickness	3/16"
Side Cutting Edge	3/8" Grade 50
Wear Bars	1/2" Grade 50 - 10" Wide
Mounting Plate	5/16" HR Steel
Cutting Edge	3/4" x 6"
Grapple Arms	1/2" Grade 50 - Laser Cut
Cylinders	2" x 8" Welded
Hydraulic Couplers	Flat Face
Hydraulic Hoses	3/8"
PSI Max	3,000 PSI
Pivot Points	Greased
Struck Capacity cu. ft.	15.9
Heaped Capacity cu. ft.	19.0
Weights (Lbs.)	872



## Features:

- Durable construction for years of use
- Dig, grab, pull and clear with one tool
- Independent grapples with greaseable pivot points
- Painted using a 2 part Urethane process for an exceptional finish
- Holes in cutting edge for optional 5/8" x 8 bolt on cutting edge (6" bolt spacing)
- Low profile for better visibility of the cutting edge
- Excellent for all your landscaping or demolition duties
- Grade 50 Steel side plates and wear skirts