

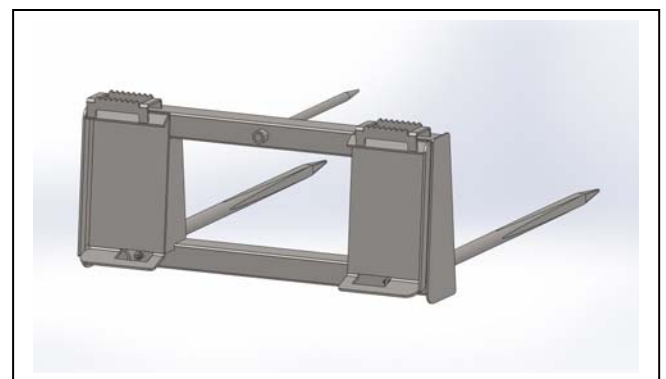
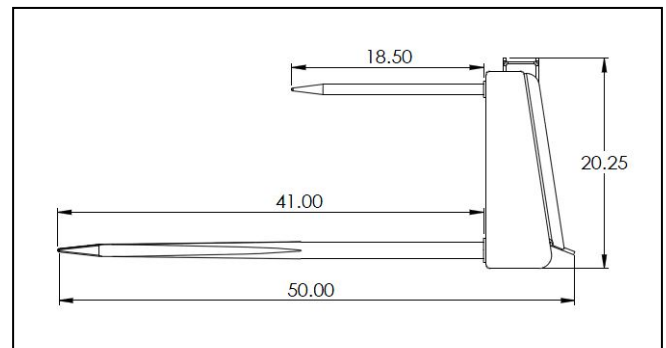
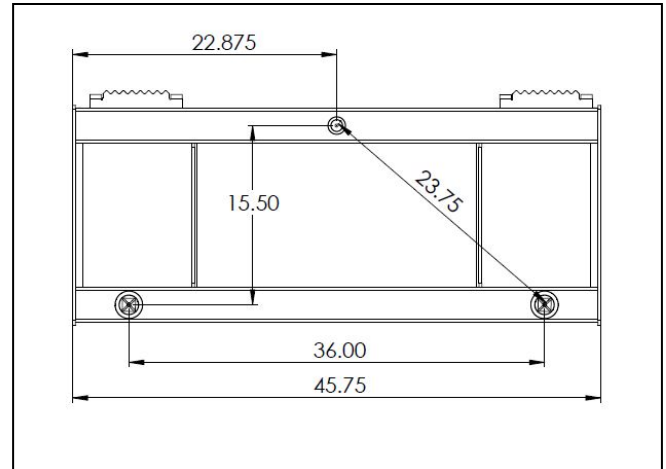
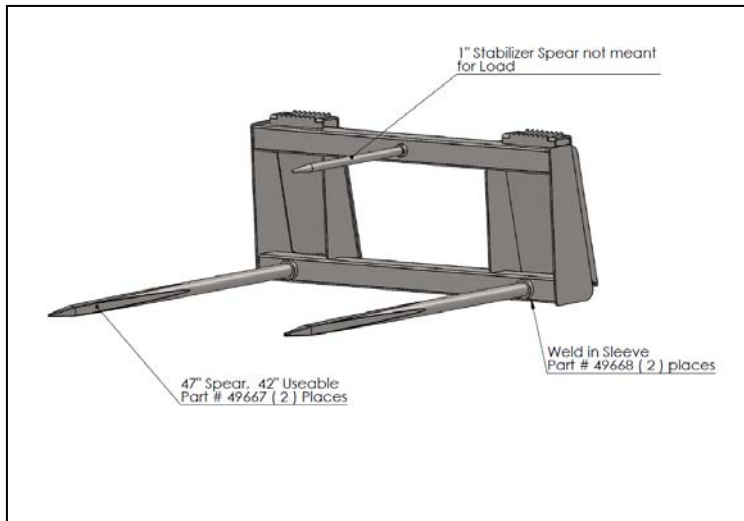


M2 ATTACHMENTS

1128 B Cormorant Ave, Detroit Lakes, MN 56501
 701-360-3544 - 855-777-3539
 M2attachments@gmail.com

Double Bale Spear

Model # 102389



Specifications

Width	46"
Height	20"
Overall Depth	50"
Width Between Spears	36"
Spear Sleeve	47" Spear Bolt in Spear, 42" Useable Length (P# 49667) Weld in Sleeve (P# 49668)
Stabilizer Spear	1" Cold Roll Round 23" Spear, 18½" Useable (P# 33160-7)
Max Lift	Total Max Load 3000 lbs
Weight	190 lbs

Features:

- Durable construction for years of use
- Bolt in replaceable tines
- Options to spear or cradle the bale
- Bottom lift ability enables hauling of broken bales
- Bottom lift ability allows for higher lifting
- Painted using a 2 part Urethane process for an exceptional finish