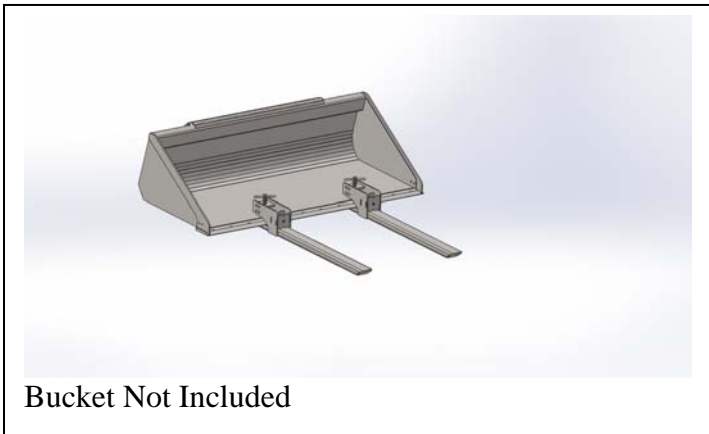
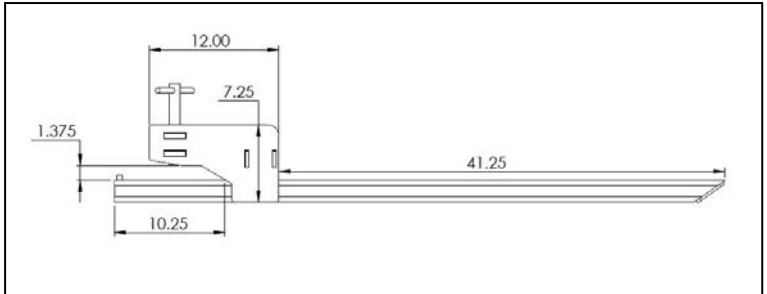




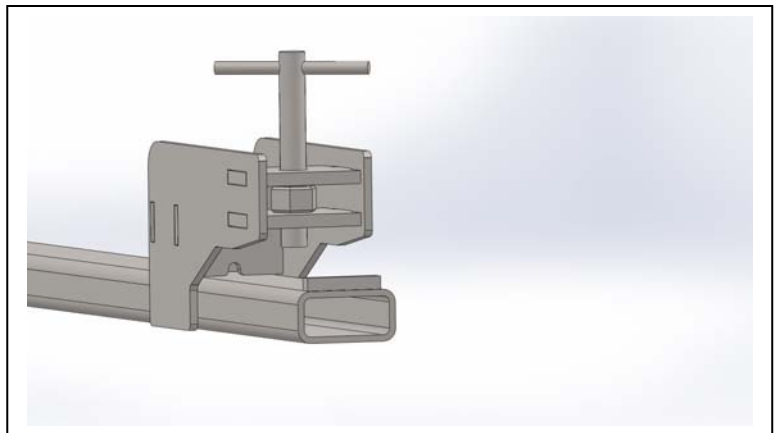
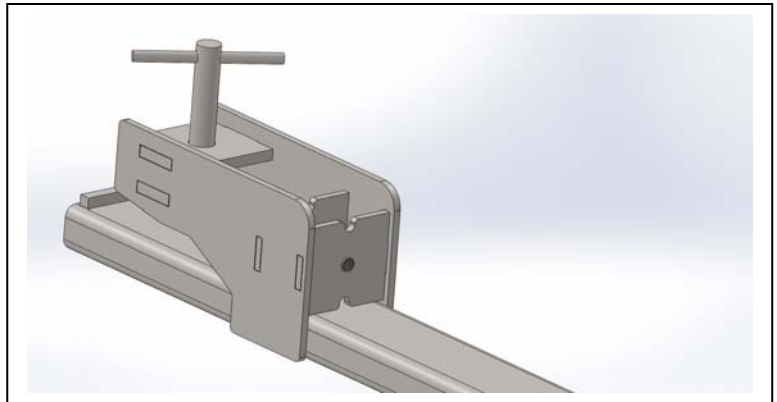
M2 ATTACHMENTS

1128 B Cormorant Ave, Detroit Lakes, MN 56501
 701-360-3544 - 855-777-3539
 M2attachments@gmail.com
 www.M2attachments.com

Clamp-On Pallet Forks Model # 102354



Bucket Not Included



Specifications

Lift Capacity (Per Set of 2 Pallet Forks)	2,000 lbs.
Overall Tine Length	41-1/4"
Tine Width	4"
Tine Height	2"
Threaded Clamp Rod	1-6 acme
Throat Opening	1-3/8"
Throat Depth	8"
Weight Each	61 lbs.

Designed for use with palletized material only.

Lift limit is determined by fork capacity or loader capacity, whichever is less.

Capacity is based on no more than 1/2 load per fork and load no more than 1/2 way out on each fork.

Features:

- Durable construction for years of use
- Mounts to most loader buckets without tool.
- Built-in stake pocket for a 2 x 4 to be installed as an upright backstop
- Painted using a 2 Part Urethane process for an exceptional finish
- Easy on/off design for added convenience
- Easy adjustment to any pallet width