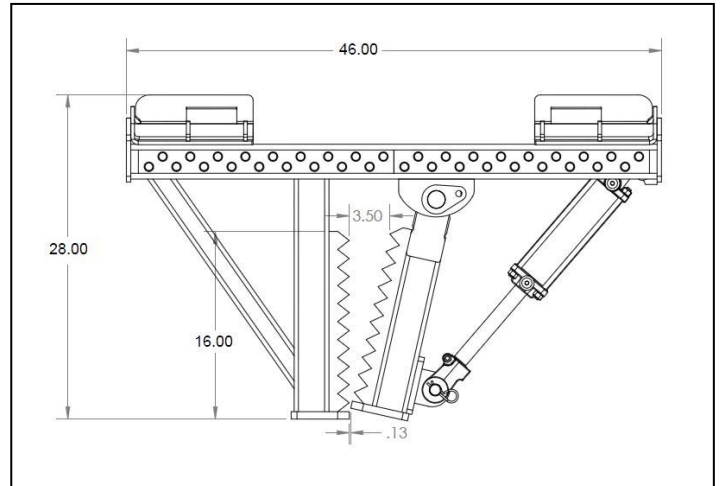
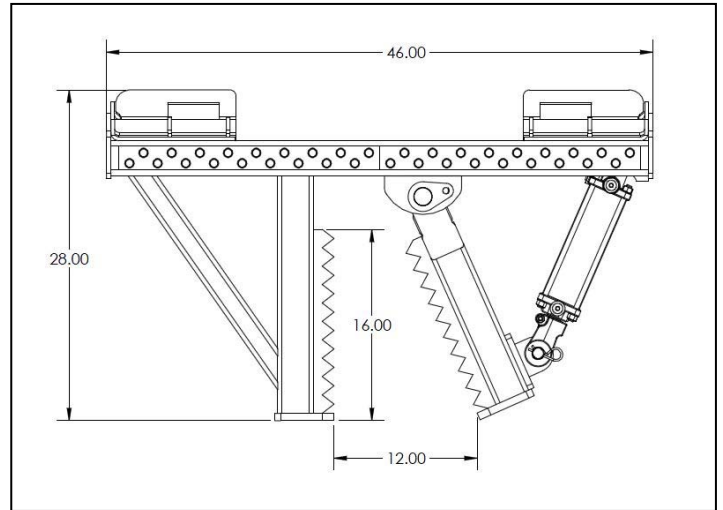
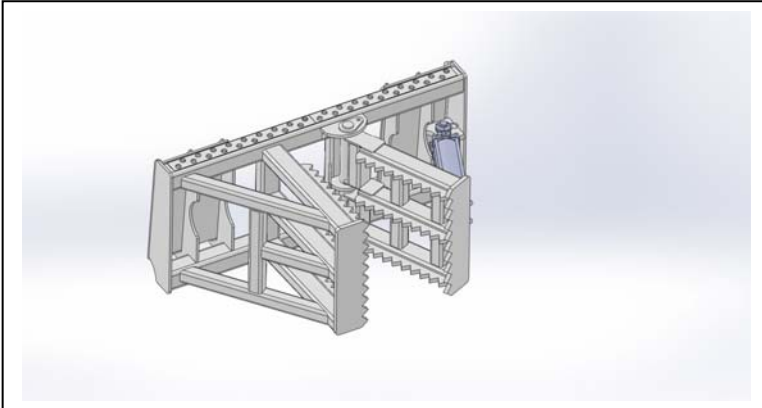
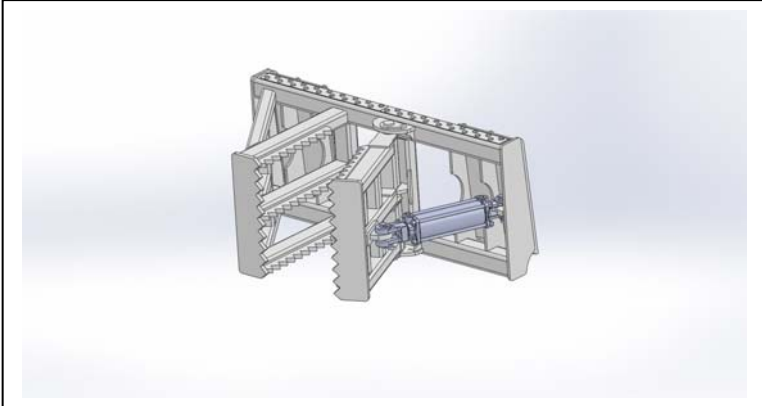
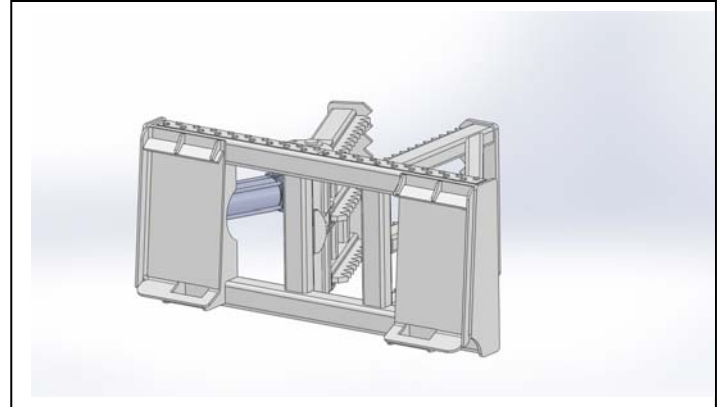




M2 ATTACHMENTS

1128 B Cormorant Ave, Detroit Lakes, MN 56501
 701-360-3544 - 855-777-3539
 M2attachments@gmail.com

Tree Puller Model # 102350



Specifications

Overall Height	20"
Overall Width	46"
Overall Depth	28"
Grapple Opening	12"
Grapple Teeth	5/8 Grade 50
Flat Face Hydraulic Couplers	(Optional)
Hydraulic Hoses	3/8"
Cylinder	2-1/2" x 8"
Main Pin	1-1/2" Greaseable
Weight	396

Features:

- Durable construction for years of use
- Unique tooth design to hold material
- Good for both large and small trees
- Heavy duty lifting
- Clears trees and shrubs
- Painted using a 2 part Urethane process for an exceptional finish